

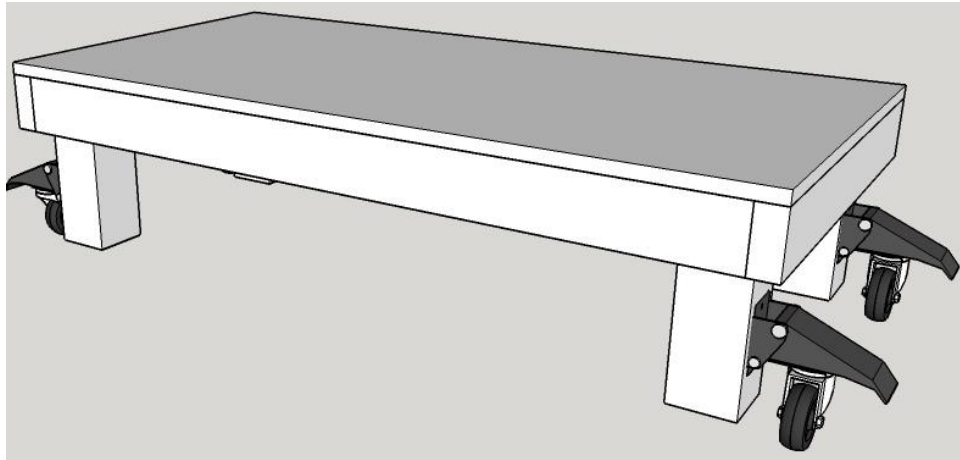


**DIY PLANS FOR
PORTABLE WORK
SURFACE TO USE WITH
HOMERIGHT SPRAY TENT**



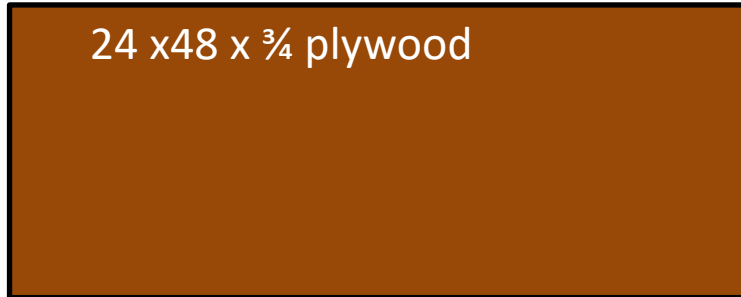


Workshop portable cart with foot-activated lift mechanism





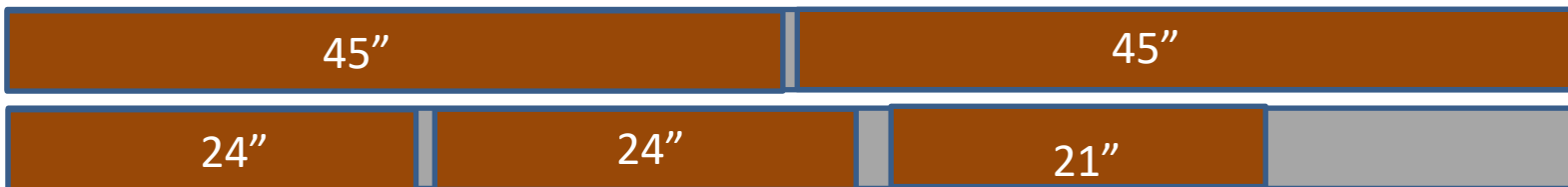
CUT LIST



4x4x8 -1



2x4x8 -2



[Rockler Workbench Caster Kit 4 Pack](#)

Mounted according to manufacturer details



STEP ONE:

Combine the 45", 24" and 2 using 2" deck screws



STEP TWO:

Secure the plywood to the frame with 1 ½" deck screws





STEP THREE:

Flip the entire unit upside down and insert a leg into each corner resting on the plywood. Secure each leg with 2" deck screws through the frame



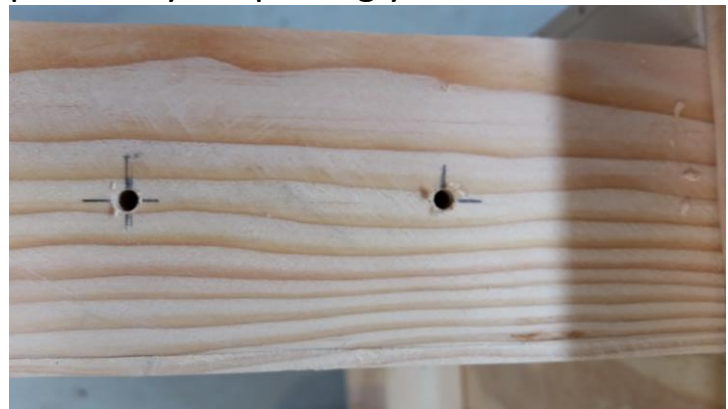


STEP FOUR:



Secure [Rockler Workbench Caster Kit 4 Pack](#) according to manufacture details.

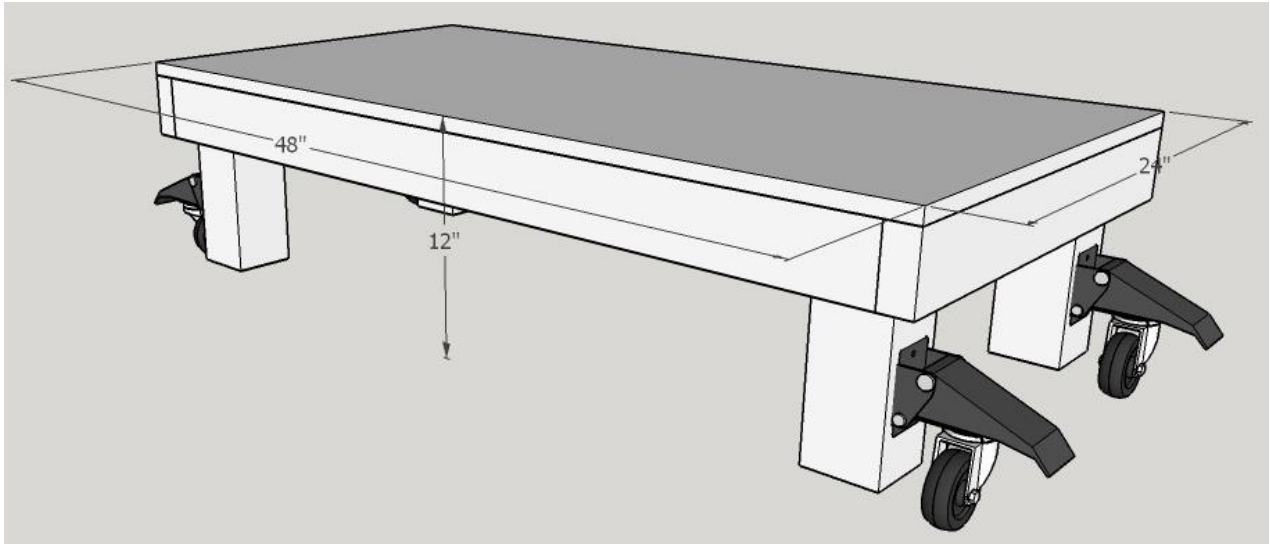
Drill holes at your marks prior to securing with screws to avoid the possibility of splitting your wood



TIP: Secure brackets to the legs prior to attaching the wheels to the brackets.

Otherwise you will not be able to access the bracket hole behind the wheel

This set of four easy-spin 2-3/8" urethane casters feature a foot-activated lift mechanism that engages or disengages with the touch of your toe. Engage them to lift your bench 3/4" off the floor for mobility, disengage them for stability.



TIP: Rockler also sells brackets that allow the wheels to be moved from one item to another.



